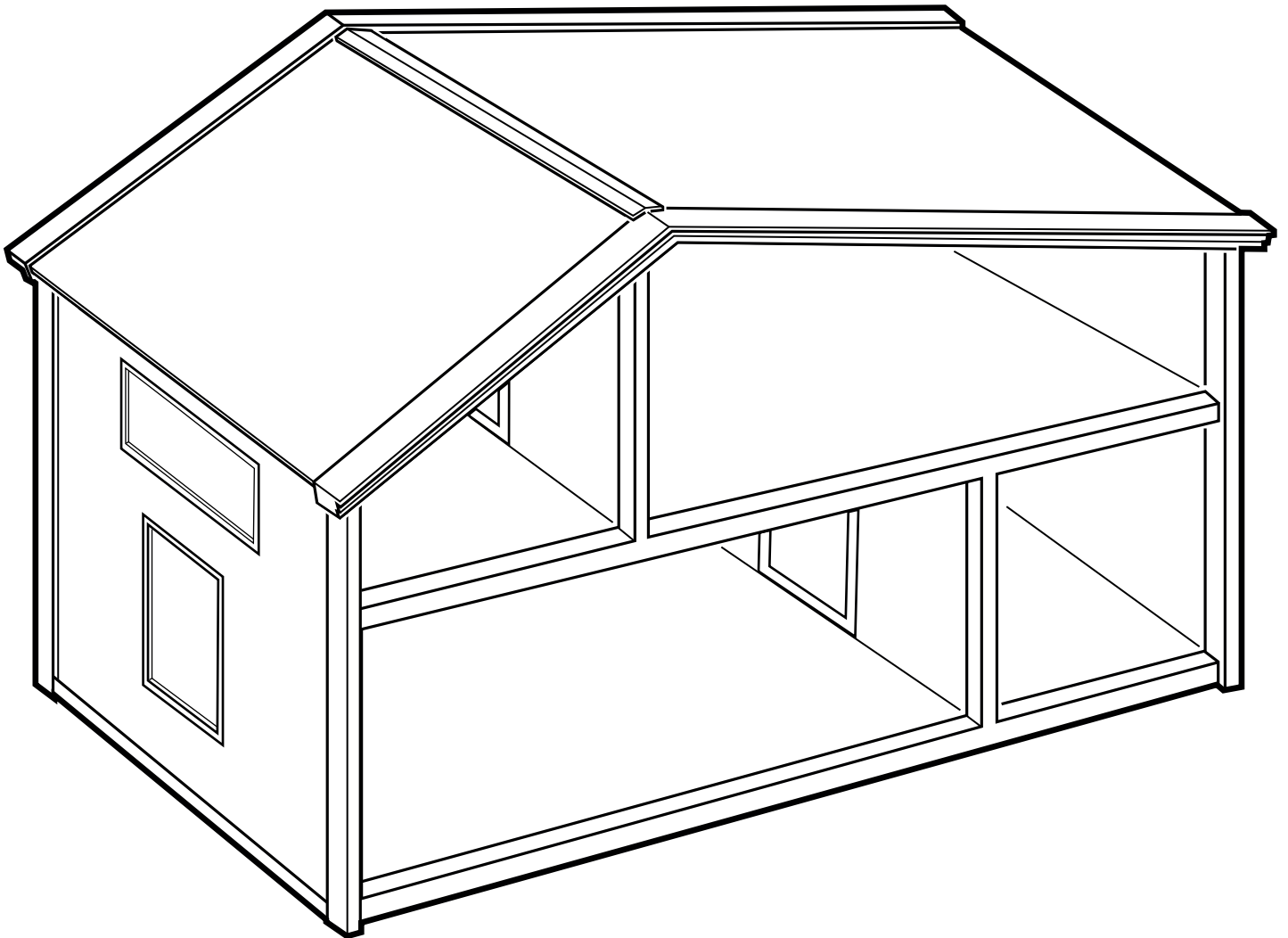
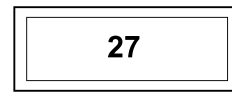
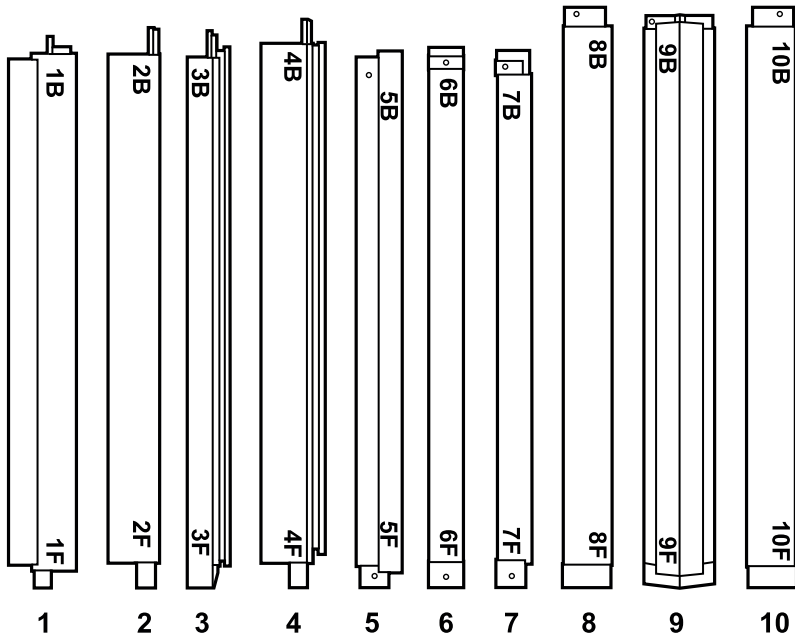
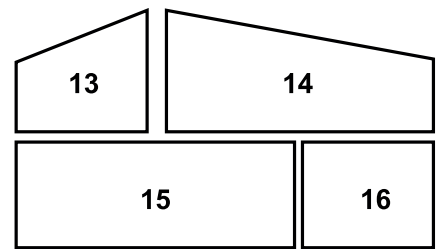
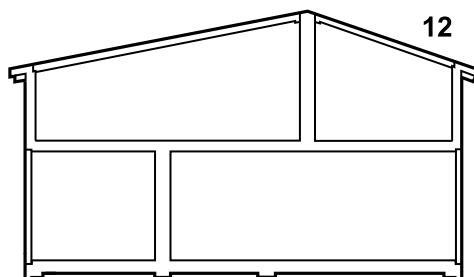
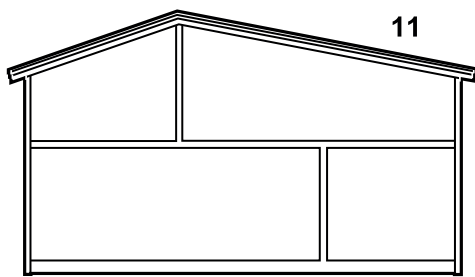




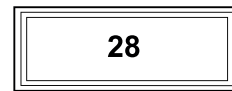
The Swedish Doll's House



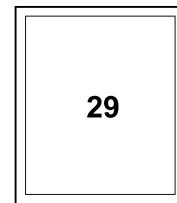
 **WARNING!**
CHOKING HAZARD - Small parts.
Not for children under 3 years.
Adult assembly required.



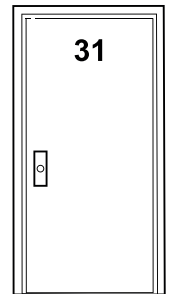
x2



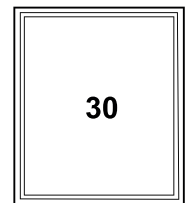
x2



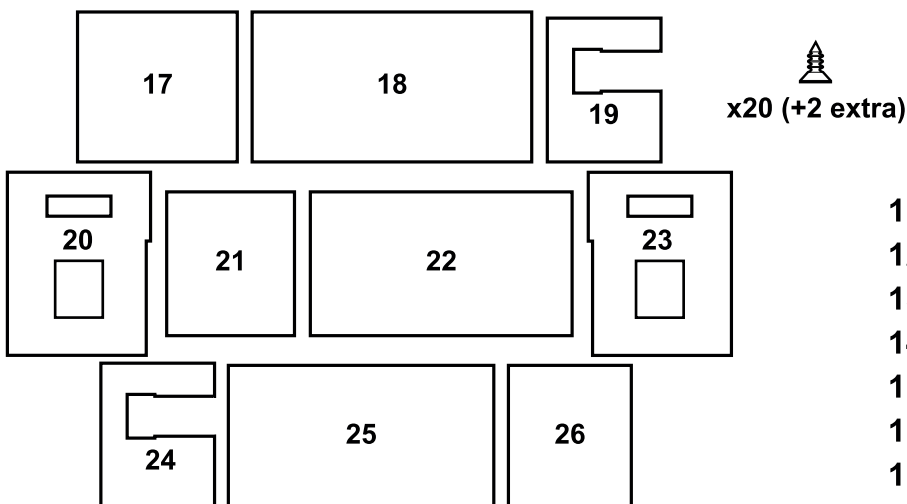
x2



x2



x2

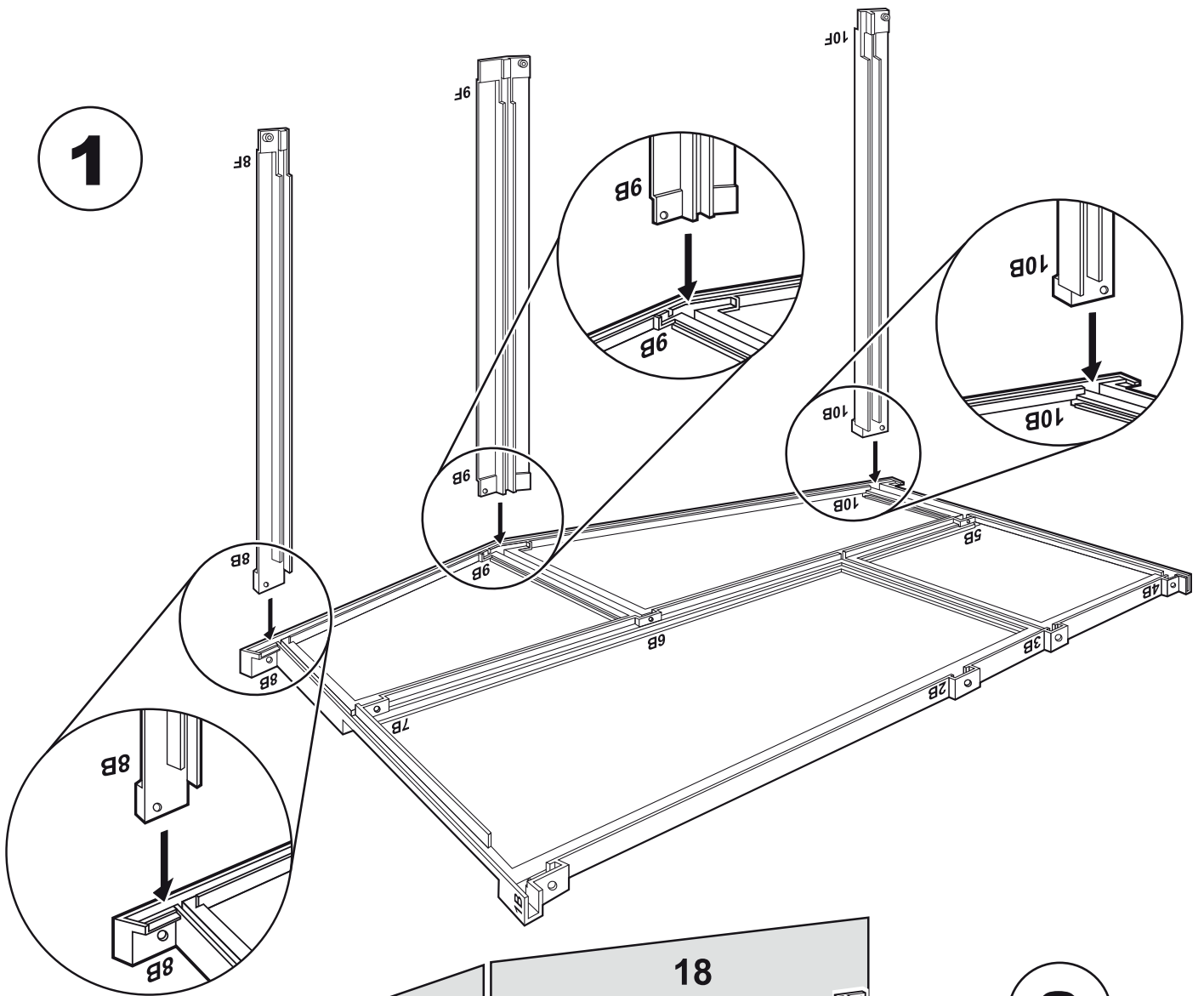


- 11. Front frame
- 12. Back frame
- 13. Top floor, left back wall
- 14. Top floor, right back wall
- 15. Bottom floor, left back wall
- 16. Bottom floor, right back wall
- 17. Small roof
- 18. Big roof

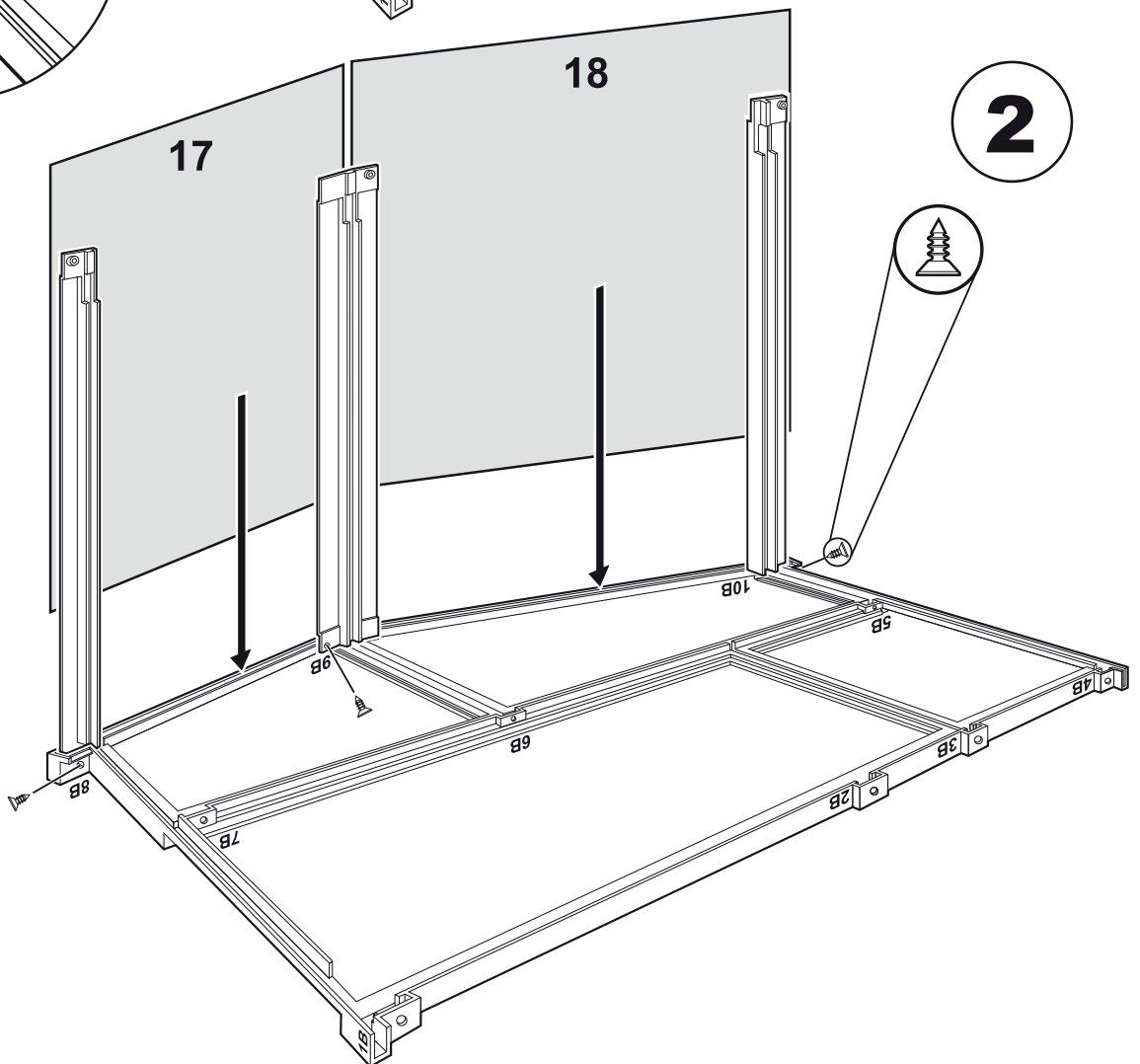
- 19. Top floor, inner wall
- 20. Left outside wall
- 21. Top floor, small floor
- 22. Top floor, big floor
- 23. Right outside wall
- 24. Bottom floor, inner wall
- 25. Bottom floor, big floor
- 26. Bottom floor, small floor

- 27. Window frame, top floor window, outside
- 28. Window frame, top floor window, inside
- 29. Window frame, bottom floor window, outside
- 30. Window frame, bottom floor window, inside
- 31. Doors

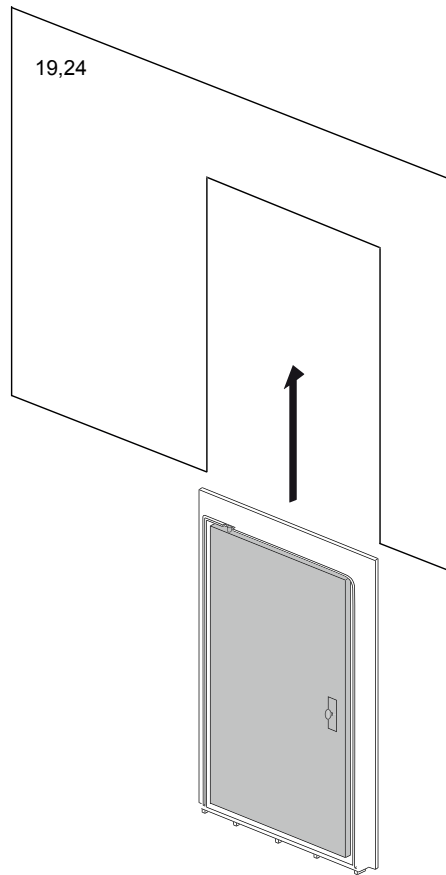
1



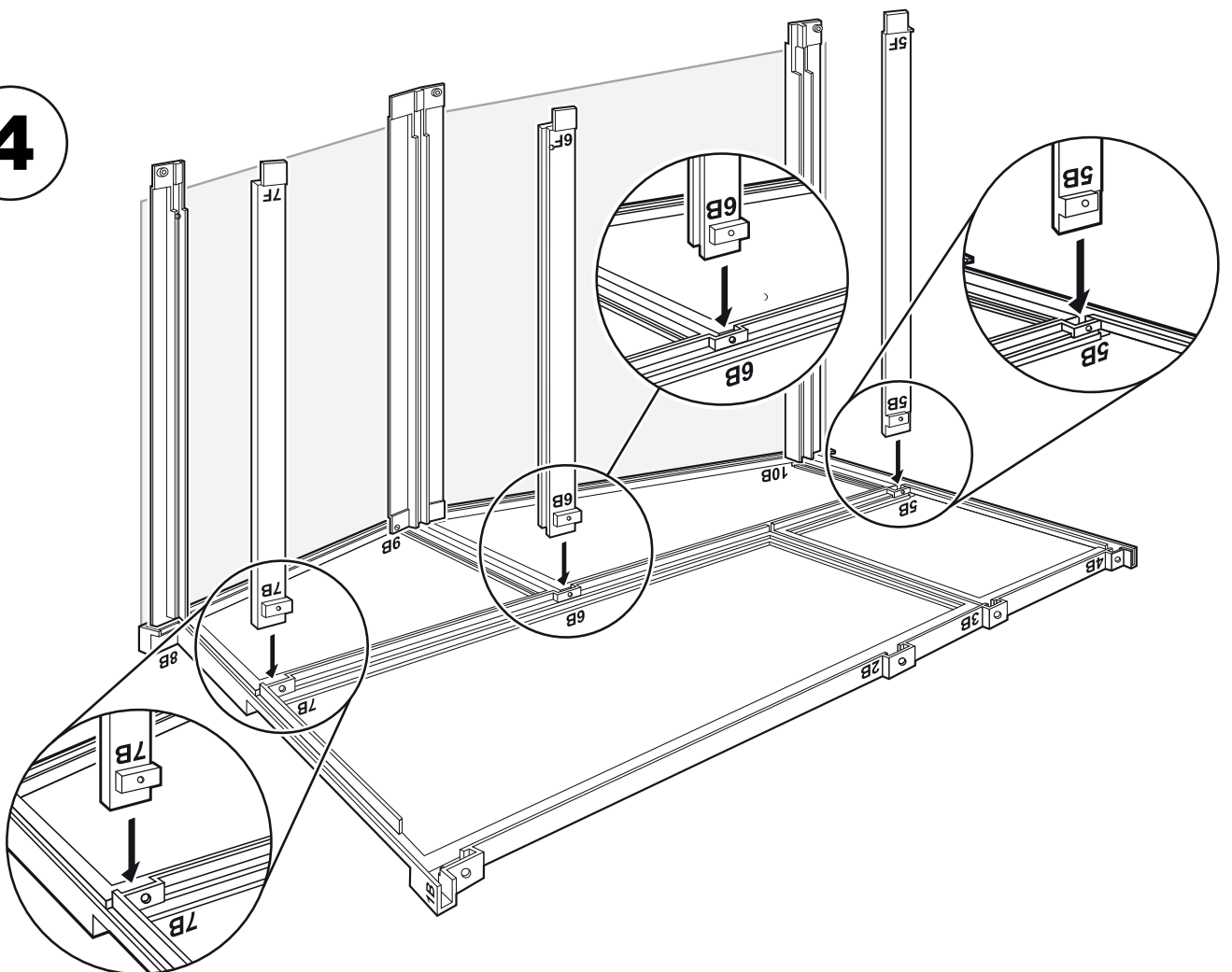
2



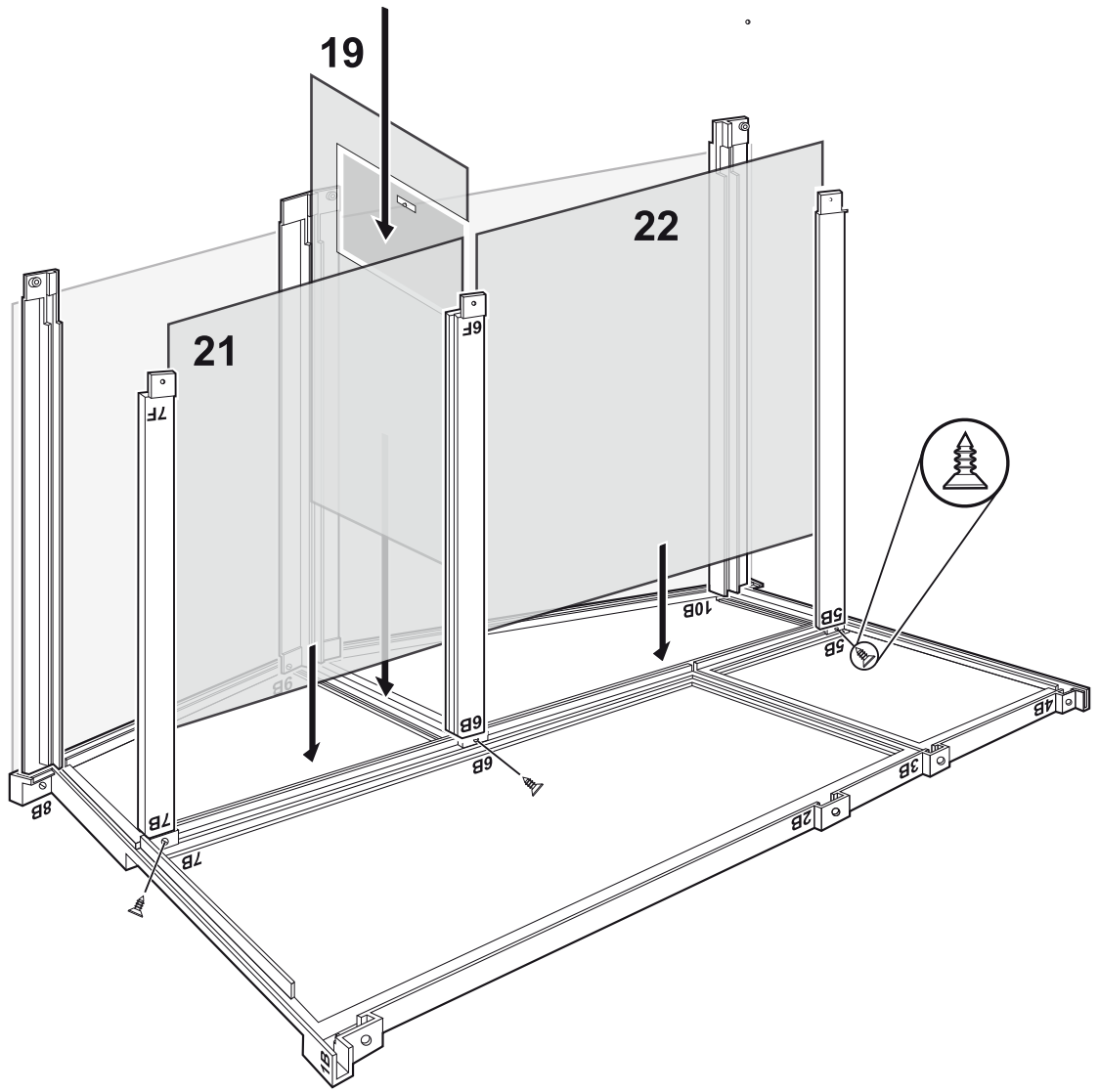
3



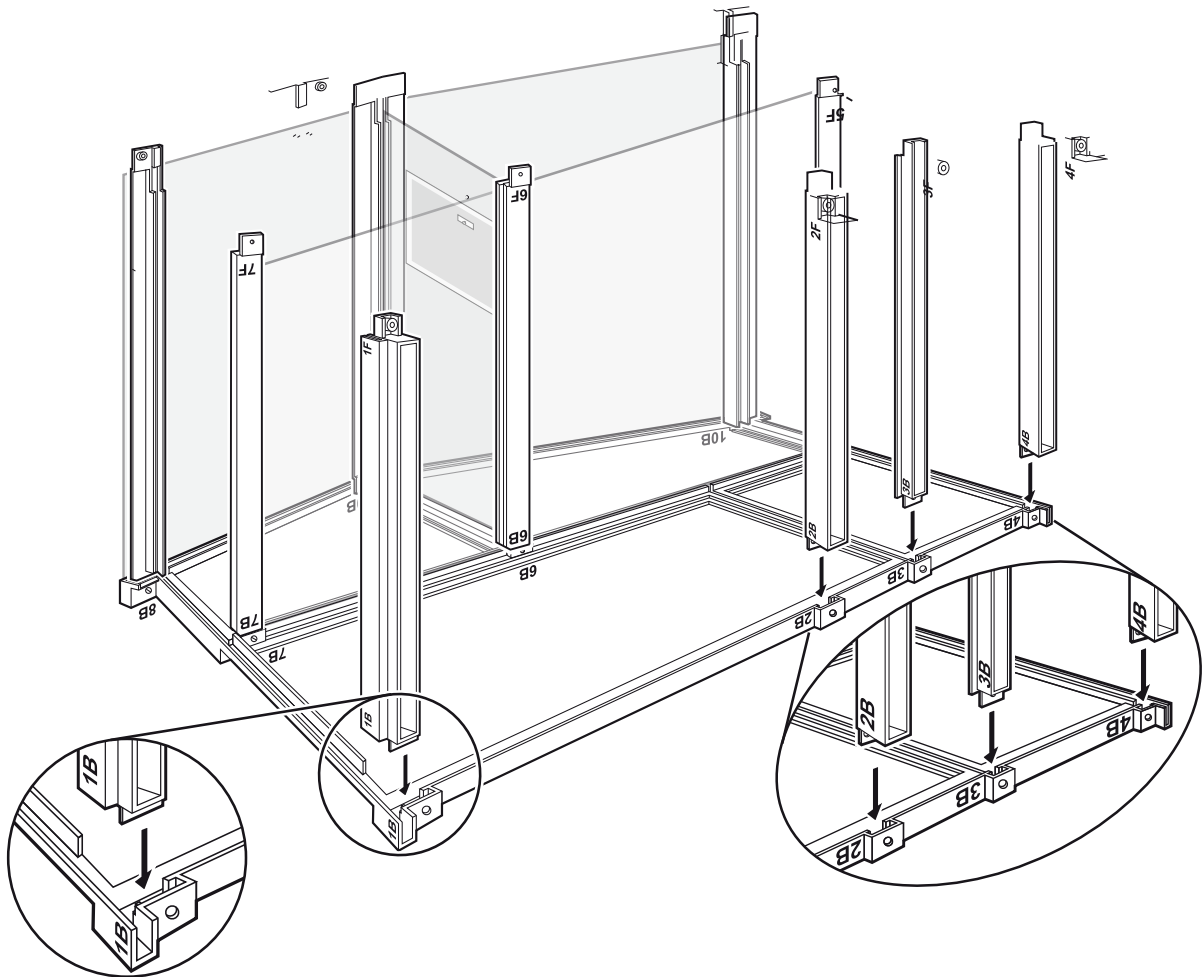
4



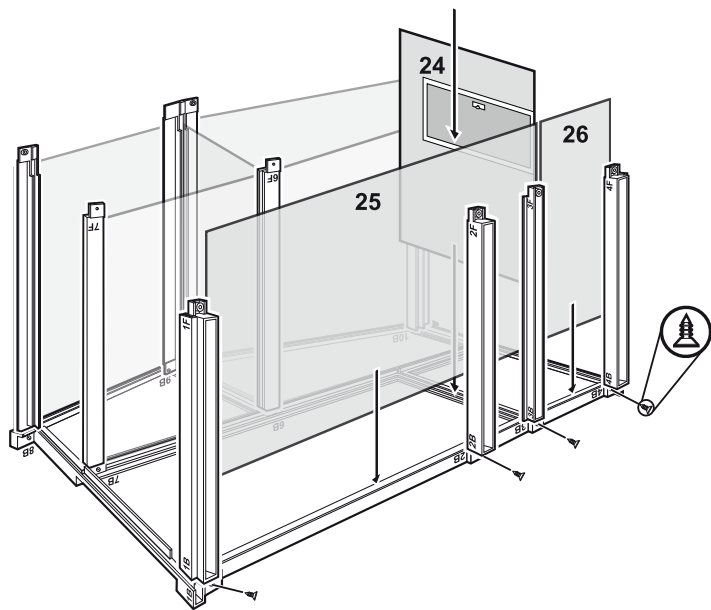
5



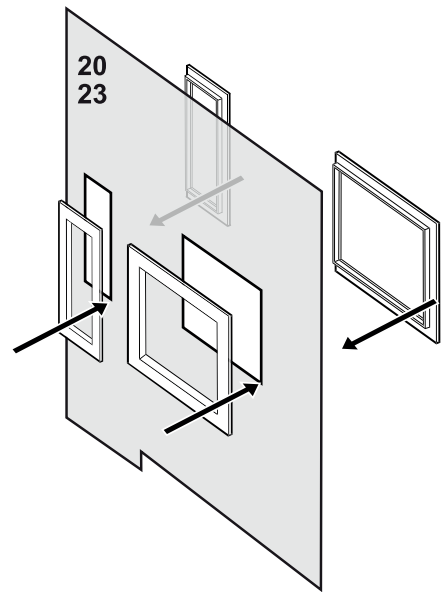
6



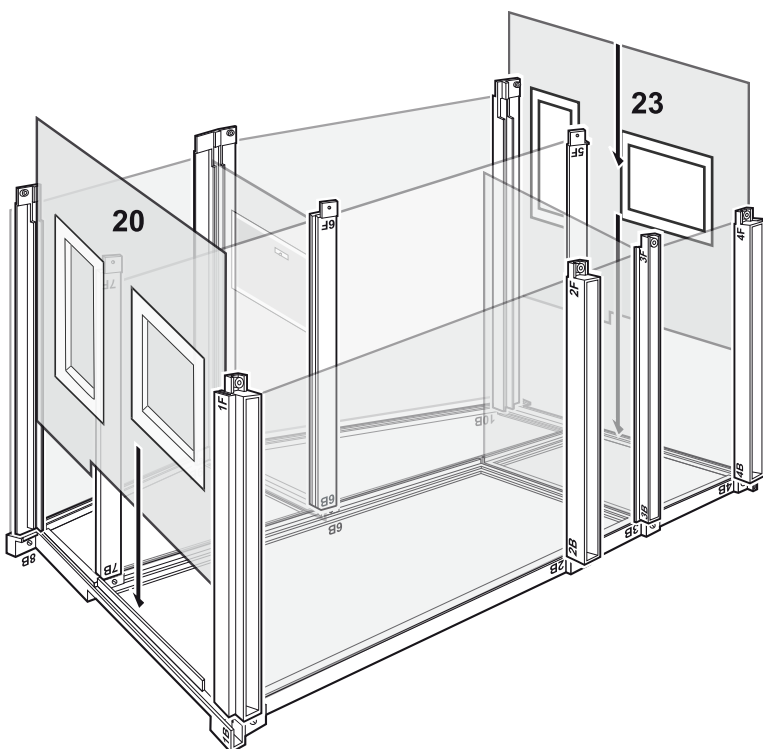
7



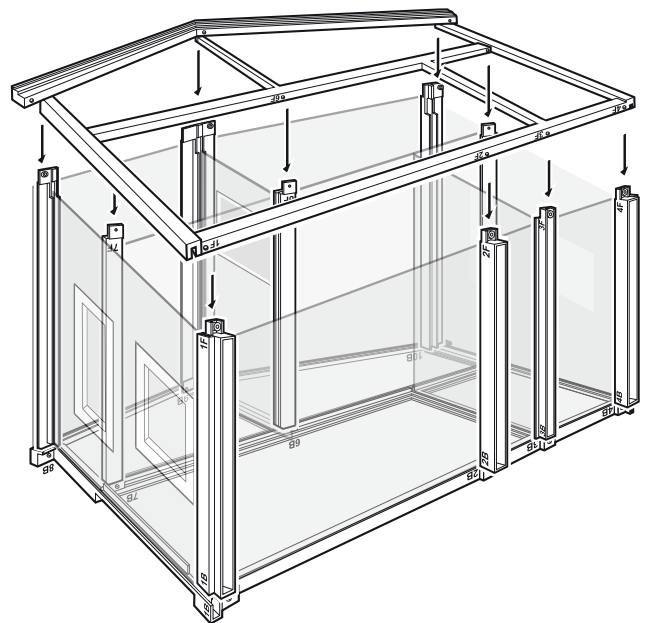
8

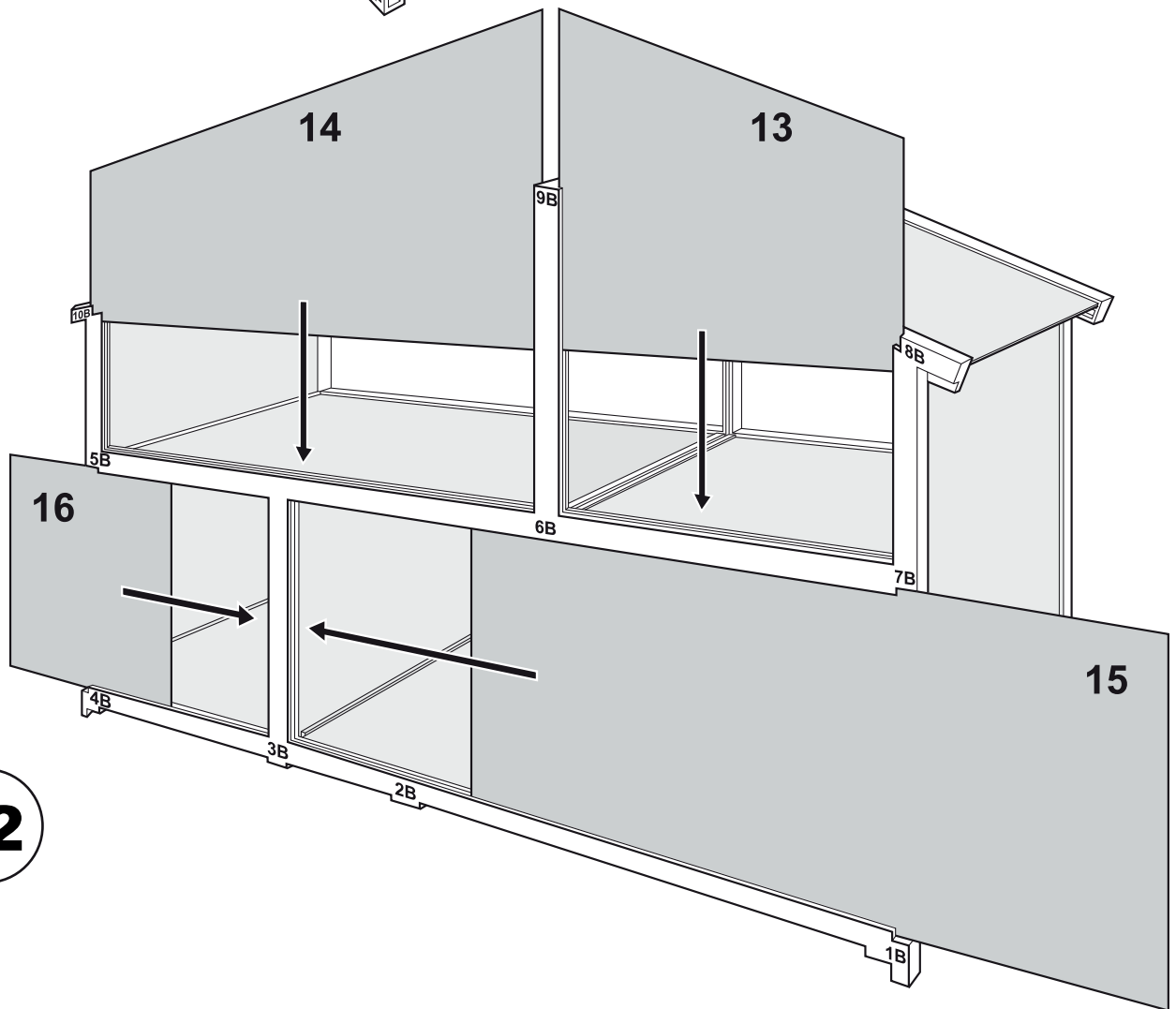
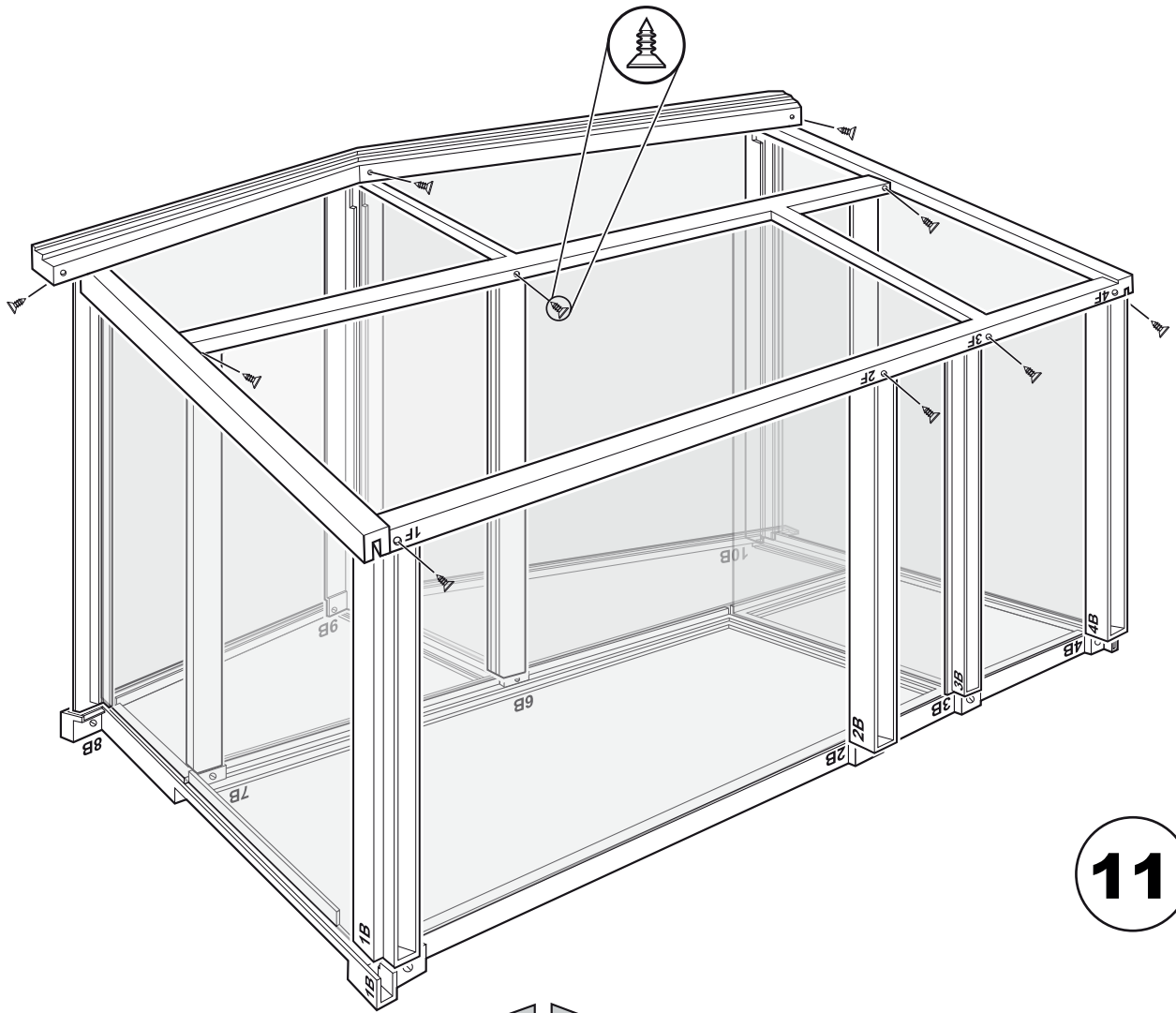


9



10







Head Office Sweden, Micki Leksaker AB
Industrivägen 7 SE-355 73 Gemla
E-mail info@micki.se, www.lundby.com